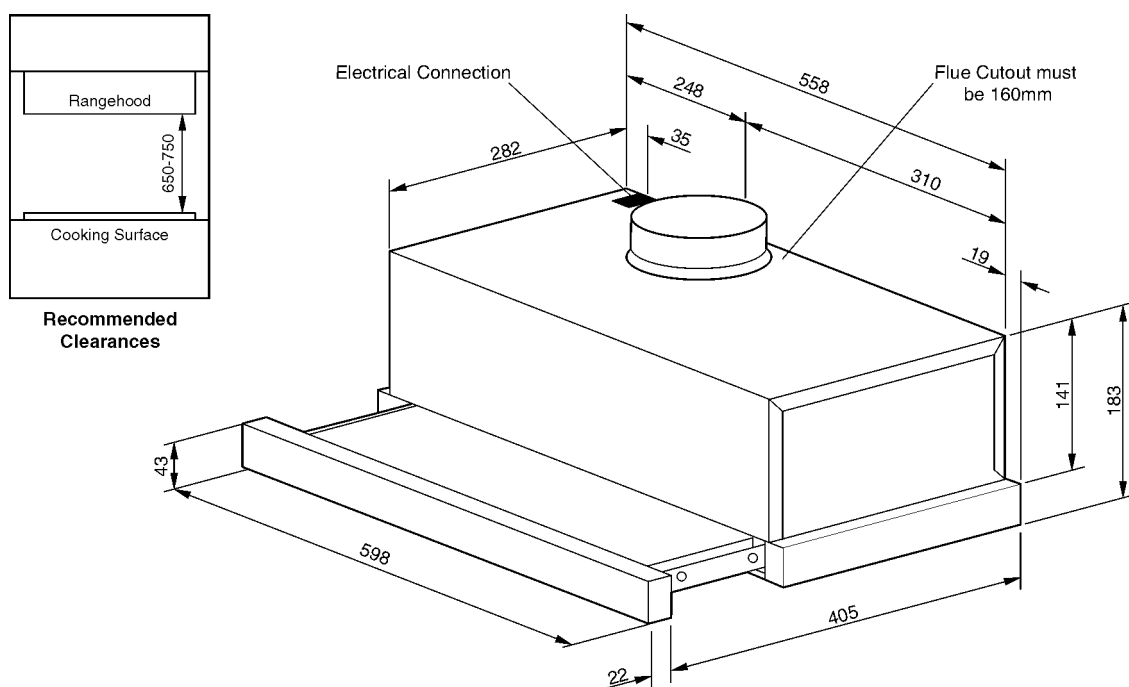


### Product Features

- 600mm Stainless steel slideout rangehood
- 275m<sup>3</sup>/hr airflow
- 2 Speeds
- Ducted air operation only
- Aluminium mesh filters
- Twin 20w incandescent globes
- Centrifugal fans
- 10 AMP connection
- Top ducted flue



### Dimensions



**WARNING:** technical specifications and product sizes can be varied by the manufacturer without notice. Cut-outs for appliances should only be by physical product measurements. The above information is indicative only.

All electrical connections must be performed by a licensed Electrician.

**PLEASE NOTE** incorrect installation will void all warranties