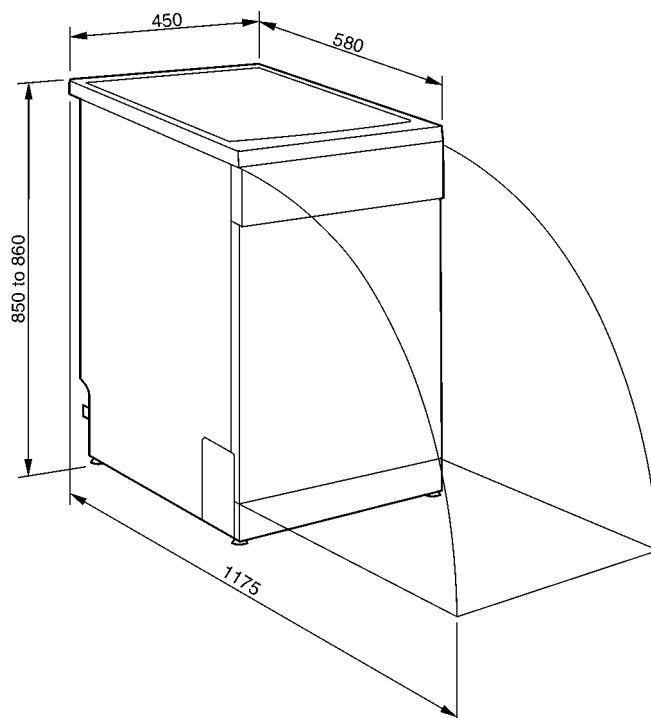


Product Features

- 8 place setting
- 6 Programs
- LED Indicator lights
- Foldable bottom plate rack
- Height adjustable upper basket
- Anti-flood protection
- Stainless Steel interior
- Cold water connection recommended only
- Power card left hand rear, 1.5m long
- Cold water inlet hose left hand rear
- Drain hose right hand side rear
- 1.5 star WELS
- 1.5 star MEPS



Dimensions



WARNING: technical specifications and product sizes can be varied by the manufacturer without notice. Cut-outs for appliances should only be by physical product measurements. The above information is indicative only.

Installation must only be carried out by a licensed installer in line with the relevant state or national regulatory requirements.

PLEASE NOTE incorrect installation will void all warranties