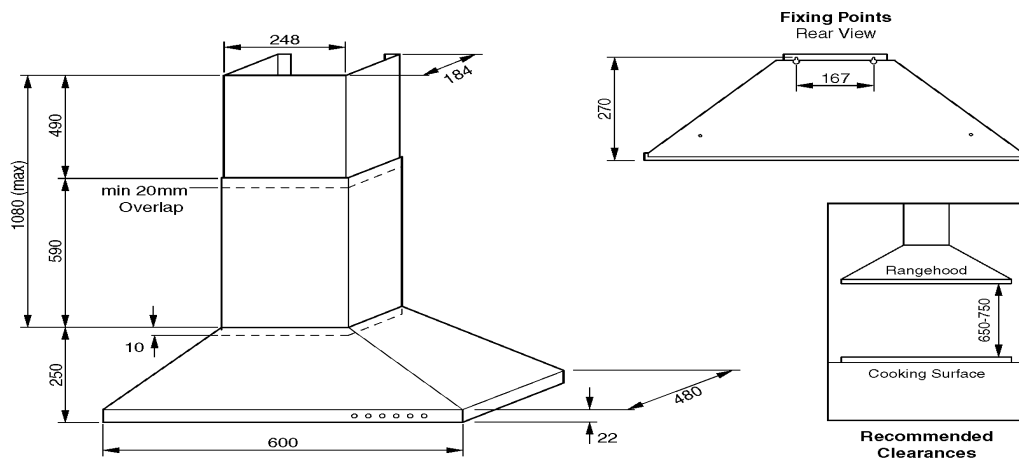


Product Features

- 600mm Stainless steel canopy rangehood
- 760m³/hr airflow
- Ducted air operation only
- 3 Speed mechanical control
- 3 layers washable aluminium filters
- Twin centrifugal fans
- Twin 20 watt halogen lamps
- Top ducted cluing only
- 10 amp connection



Dimensions



WARNING: technical specifications and product sizes can be varied by the manufacturer without notice. Cut-outs for appliances should only be by physical product measurements. The above information is indicative only.

All electrical connections must be performed by a licensed Electrician.

PLEASE NOTE incorrect installation will void all warranties