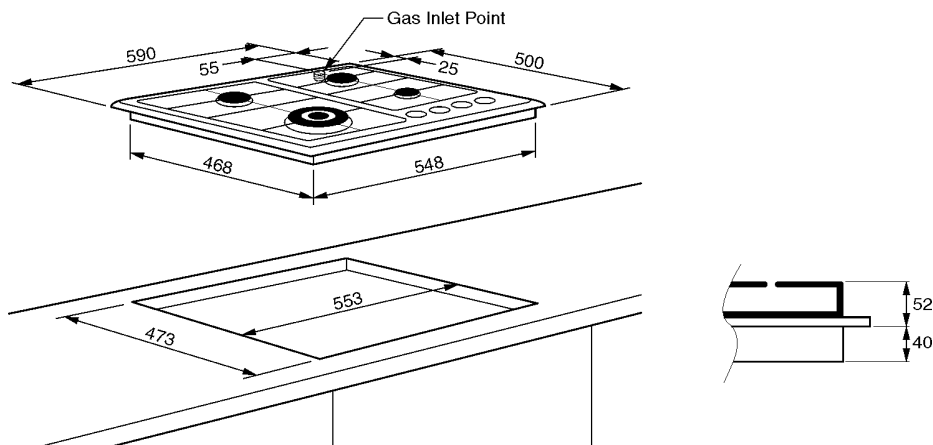


Product Features

- 600mm Stainless steel gas cooktop
- 4 gas burners - 1 x triple ring flame wok (13.6Mj/h), 2 x semi rapid (7.1 Mj/h each) and 1 x auxiliary (3.9 Mj/h)
- Wok adaptor supplied
- Front control
- Electronic knob ignition
- Cast iron trivets
- 10 amp connections
- LPG jets and labels supplied



Dimensions



WARNING: technical specifications and product sizes can be varied by the manufacturer without notice. Cut-outs for appliances should only be by physical product measurements. The above information is indicative only.

Installation must only be carried out by a licensed installer in line with the relevant state or national regulatory requirements.

PLEASE NOTE incorrect installation will void all warranties