

Product Features

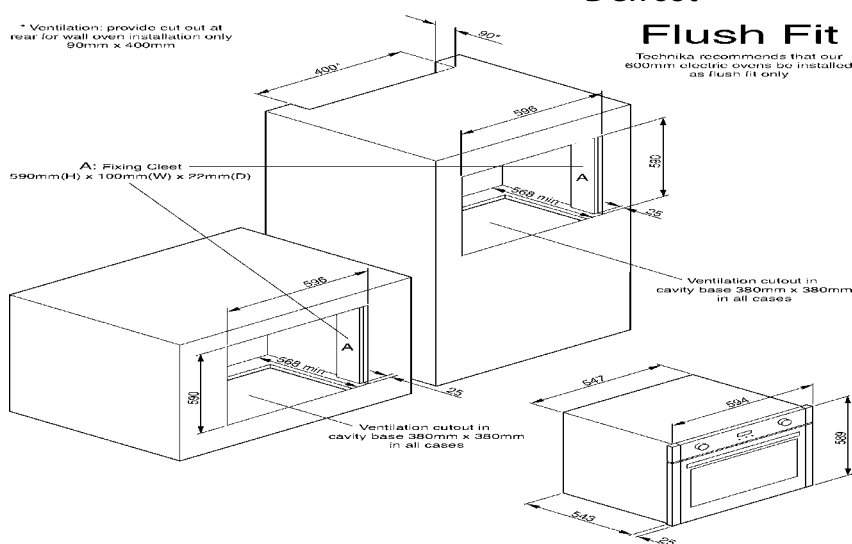
- Stainless Steel trim
- 62 Litre Oven Capacity
- Fully programmable with 6 button Digital clock
- Closed Door Grilling
- Auto safety switch off
- Cavity cooling system
- Telescopic Rails
- Triple glazed cool touch door
- Oven ventilation system
- Removable oven door
- 5 Shelf positions
- 8 Function
- 15 amp connection



Functions

- Oven light
- Conventional top & bottom element
- Bottom element fan assist
- Top element
- Grill element
- Grill element with fan assist
- Fan forced
- Defrost

Dimensions



WARNING: technical specifications and product sizes can be varied by the manufacturer without notice. Cut-outs for appliances should only be by physical product measurements. The above information is indicative only.

All electrical connections must be performed by a licensed Electrician.

PLEASE NOTE incorrect installation will void all warranties