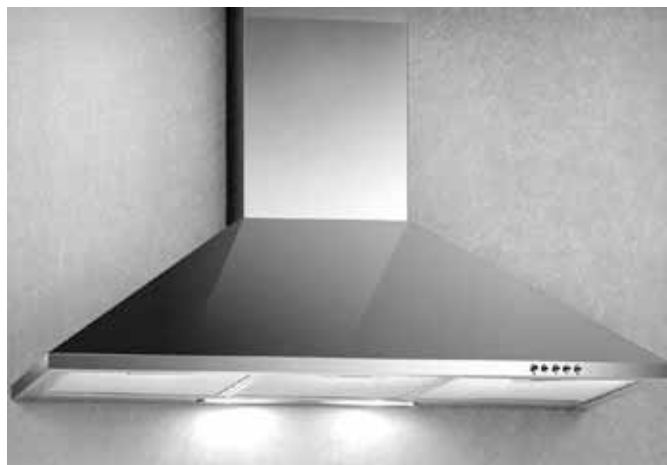
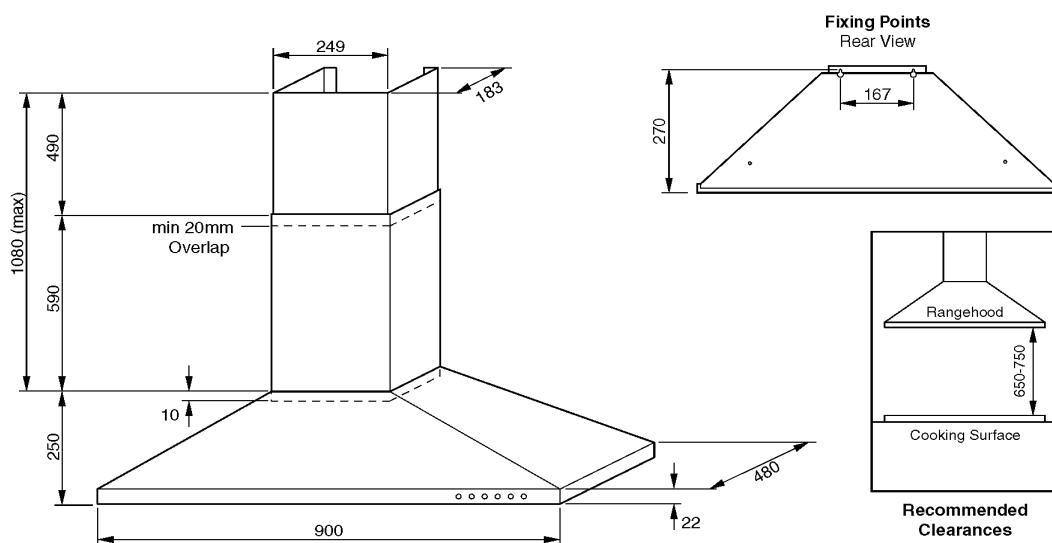


### Product Features

- 900mm Stainless steel canopy rangehood
- 760m<sup>3</sup>/hr airflow
- Ducted air operation only
- 3 Speed mechanical control
- 3 layers washable aluminium filters
- Twin centrifugal fans
- Twin 20 watt halogen lamps
- 10 amp connection
- Top ducted fluing only



### Dimensions



**WARNING:** technical specifications and product sizes can be varied by the manufacturer without notice. Cut-outs for appliances should only be by physical product measurements. The above information is indicative only.

All electrical connections must be performed by a licensed Electrician.

**PLEASE NOTE** incorrect installation will void all warranties