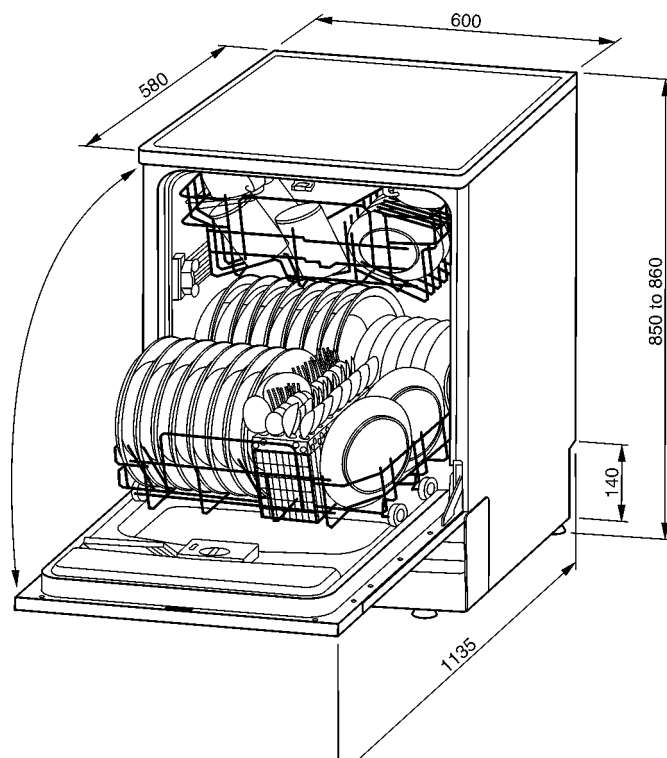


Product Features

- 12 place setting
- Electronic controls
- Push button function controls
- 6 Operating functions
- LED indicators
- Antiflood device
- Concealed heating element
- Foldable bottom plate racks
- Delayed start
- Residual drying system
- Cold water connection recommended only
- Power cord left hand rear
- Cold water inlet hose left hand rear
- Drain hose right hand side rear
- 2 star WELS
- 2 star MEPS



Dimensions



WARNING: technical specifications and product sizes can be varied by the manufacturer without notice. Cut-outs for appliances should only be by physical product measurements. The above information is indicative only.

Installation must only be carried out by a licensed installer in line with the relevant State or national regulatory requirements.

PLEASE NOTE incorrect installation will void all warranties