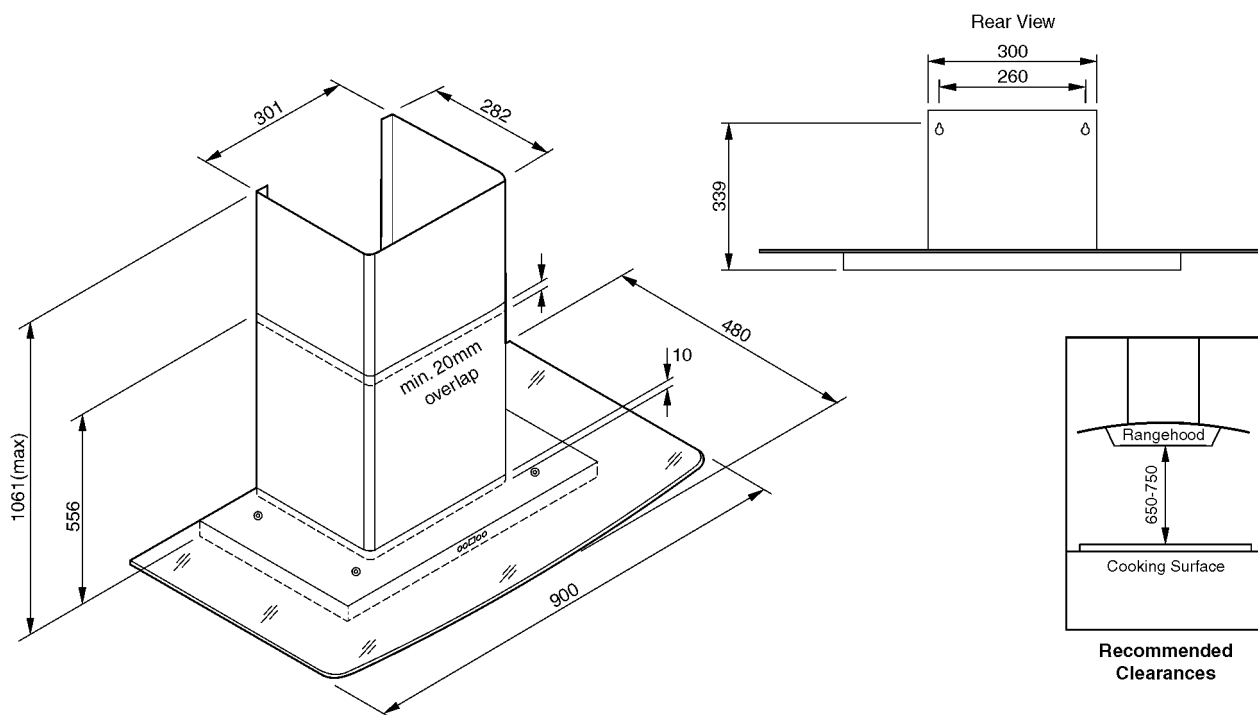


Product Features

- 900mm Stainless steel/glass canopy rangehood
- 760m³/hr airflow
- 4 Speeds
- Electronic LED display
- Ducted air operation only
- Aluminium filters
- 2 x Haogen globes
- Top ducted fluing only
- 10 AMP connection



Dimensions



WARNING: technical specifications and product sizes can be varied by the manufacturer without notice. Cut-outs for appliances should only be by physical product measurements. The above information is indicative only.

All electrical connections must be performed by a licensed Electrician.

PLEASE NOTE incorrect installation will void all warranties