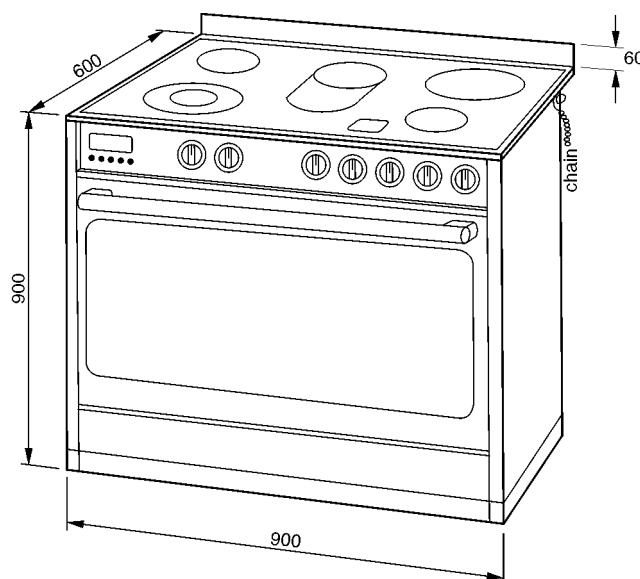


Product Features

- 105 Litre Oven Capacity
- 3 Button digital clock/timer
- 5 Heating zones
- 8 Cooking functions
- Easy clean cavity
- Easy clean removable side racks
- Removable inner glass panel
- Triple glazed glass door
- Cool touch door
- Oven can be installed with zero clearance beside cabinetry
- Electrical connection is at rear left side, single phase 240V 50Hz
- Power - Ceramic Hob: 9.1kW, Power - oven 3.55kW, total power 12.65kW
- min/max heights of upright
- -freestanding (without feet) 900mm
- -with feet (screwed in) 914mm
- -with feet (extended) 962mm



Dimensions



WARNING: technical specifications and product sizes can be varied by the manufacturer without notice. Cut-outs for appliances should only be by physical product measurements. The above information is indicative only.

All electrical connections must be performed by a licensed Electrician.

PLEASE NOTE incorrect installation will void all warranties